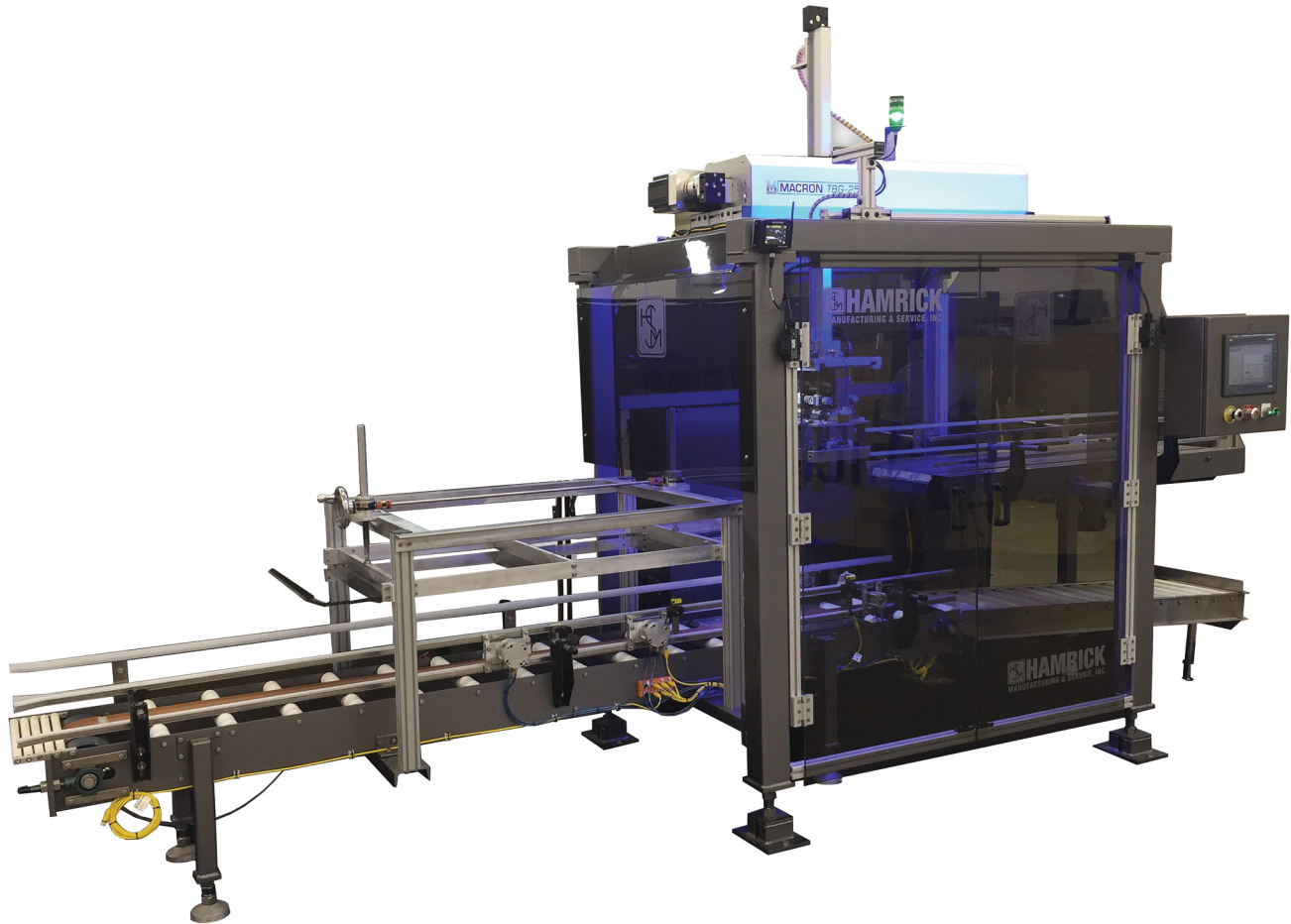




# HAMRICK

## U20 PICK & PLACE UNCASER



**Round or Non-Round  
Containers**



**20  
Cycles Per Minute**

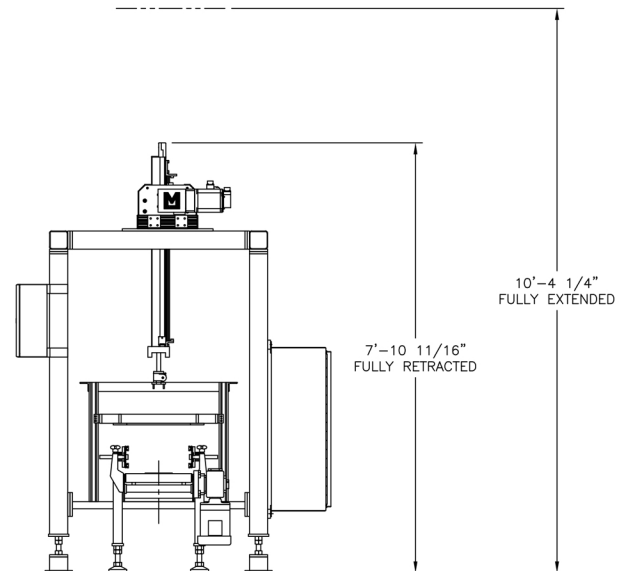
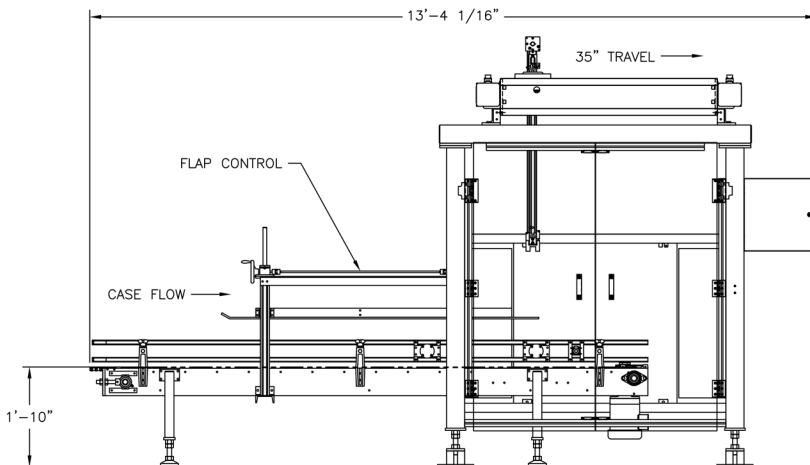
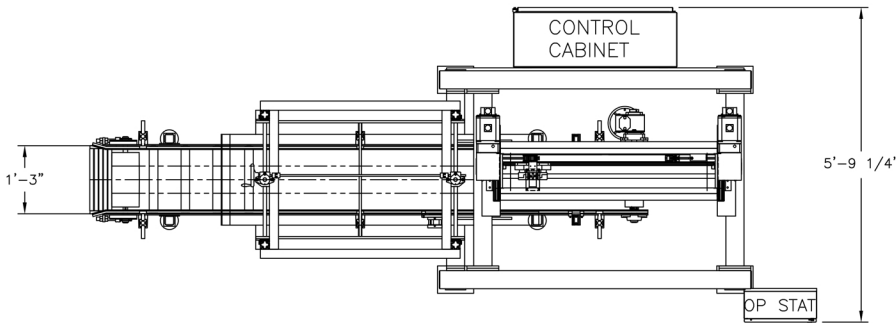


**Medium to High  
Production Volume**



# HAMRICK

## U20 PICK & PLACE UNCASER



### Unit Specifications:

Pick & place uncaser using gripper, bladder, or vacuum tooling

Engineered for newly erected, reshipper, tab-lock, or tray

Allen-Bradley MicroLogix 1400 PLC with PanelView 300 HMI

Single case infeed with cycle times up to 20 per minute.

\*speeds may increase depending on application

### Upgrades Available:

Four-flap opener for reshipper cases

Combiner assembly to assist non-round containers into single-file formation

Storage rack and transport cart for tooling

4-tier flashing light tree for interrupted cycle

Additional guarding package

**One (1) Year Warranty and 100% Money Back Guarantee Always Included**