



HAMRICK

CS30

HOT MELT CASE SEALER



30
Cases Per Minute



Single
Case Input



Low to Medium
Production Volume



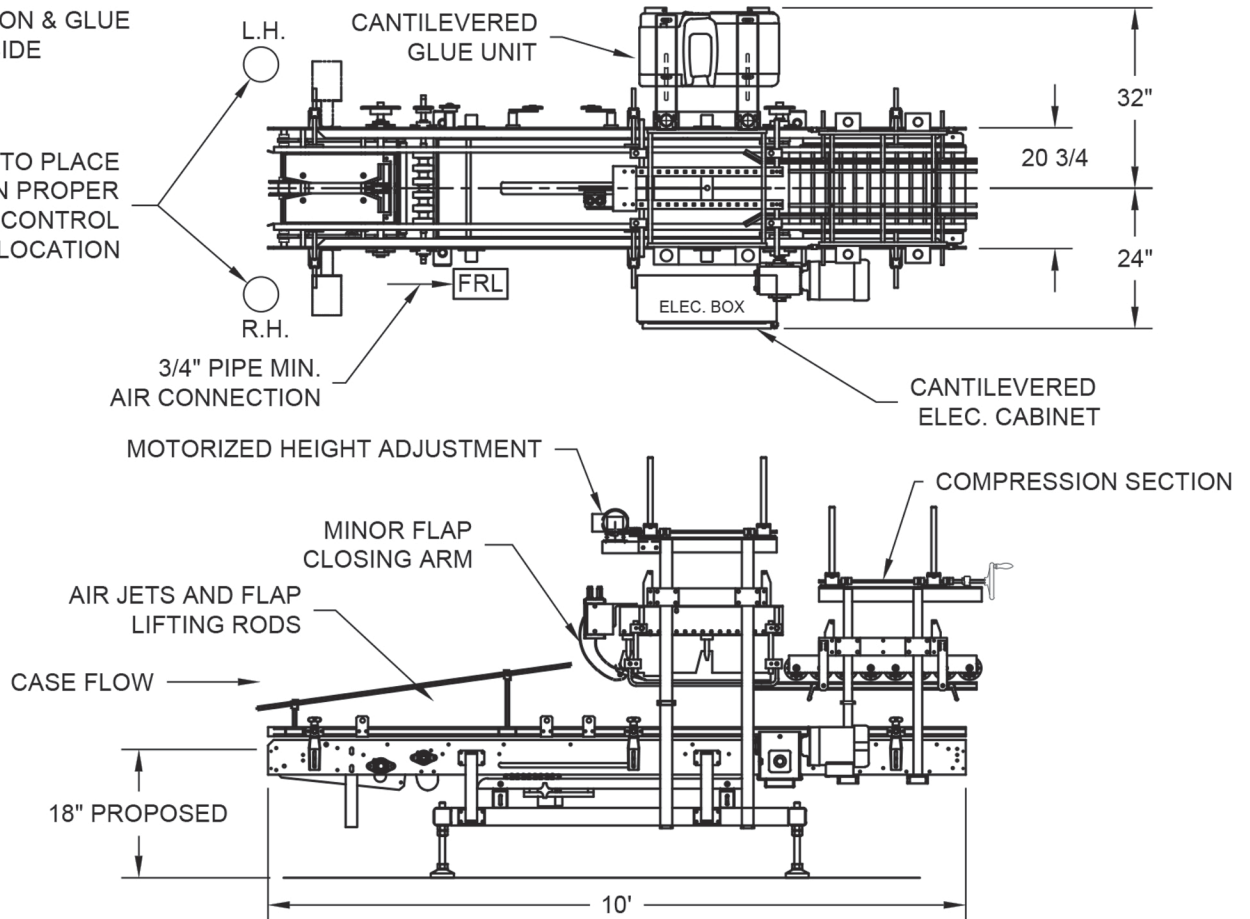
HAMRICK

CS30

HOT MELT CASE SEALER

CONTROL STATION & GLUE UNIT ON SAME SIDE OF MACHINE.

CUSTOMER TO PLACE AN "X" IN PROPER CIRCLE FOR CONTROL STATION LOCATION



Unit Specifications:

Quick changeover from twin to single case output

Variable speed drive motor

Polished stainless steel exterior covers

Nordson Pro Blue Series hot melt glue system with anti-drip nozzles

Steel-It corrosion resistant paint

Allen-Bradley PLC controller

Upgrades Available:

3-Tier flashing light tree for interrupted cycles

Additional E-stop

Stainless steel construction with NEMA 4x electrical

Upcharge to non-standard voltage

One (1) Year Warranty and 100% Money Back Guarantee Always Included