

# TL130 LOCK TAB FLAP BREAKER



**NEW**



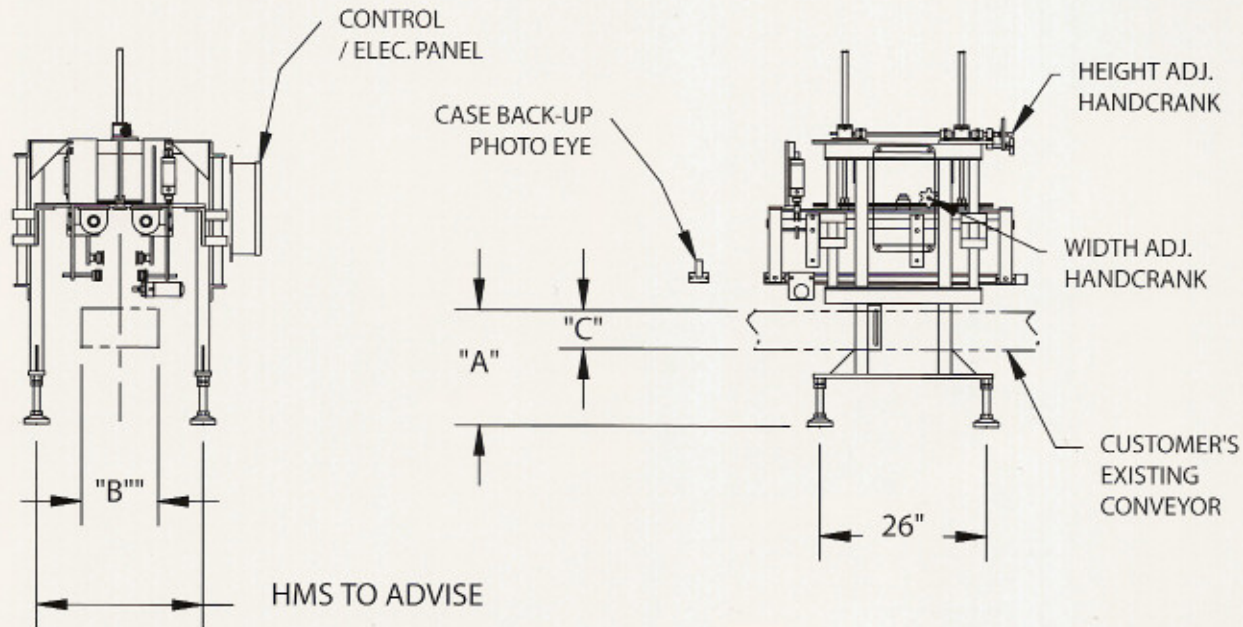
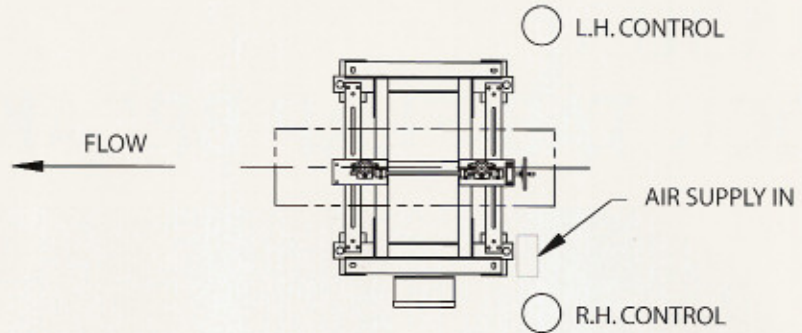
FREE STANDING HEAVY DUTY WITH VACUUM  
PUMP FOR SPEEDS UP TO 30 CASES PER MINUTE





# H.M.S. MODEL 130 LOCK TAB BREAKER

NOTE:  
 - UNIT TO MOUNT ACROSS  
 CUSTOMERS EXISTING CONV.  
 - GUARDS REMOVED  
 FOR CLARITY



## UNIT SPECIFICATIONS

SIMPLE OPERATOR CONTROLS  
 CASE BACK-UP PHOTO EYE  
 ALLEN BRADLEY MICROLOGIX PLC W/ PANELVIEW 300  
 NEMA 12 ELECTRICAL  
 HEAVY DUTY STRUCTURAL STEEL FRAME ASSEMBLY  
 W/ ADJUSTABLE FOOT PADS  
 HEAVY DUTY VACUUM PUMP  
 HAND CRANK HEIGHT & WIDTH ADJUSTMENT  
 FOR QUICK CHANGEOVER

## PLANT SPECIFICATIONS

"A" = CASE ELEVATION \_\_\_\_\_  
 "B" = CUSTOMER CONVEYOR WIDTH \_\_\_\_\_  
 "C" = CUSTOMER CONVEYOR HEIGHT \_\_\_\_\_  
 COLOR OF UNIT \_\_\_\_\_ (STEEL-IT STANDARD)

**HAMRICK**  
**MANUFACTURING & SERVICE, INC.**

MOGADORE, OHIO U.S.A.

1436 MARTIN ROAD  
 P.O. BOX 5  
 MOGADORE, OHIO 44260  
 PH: (330)628-4877  
 FAX:(330)628-2180  
 WWW.SALES@HAMRICKMFG.COM  
 WEBSITE WWW.HAMRICKMFG.COM