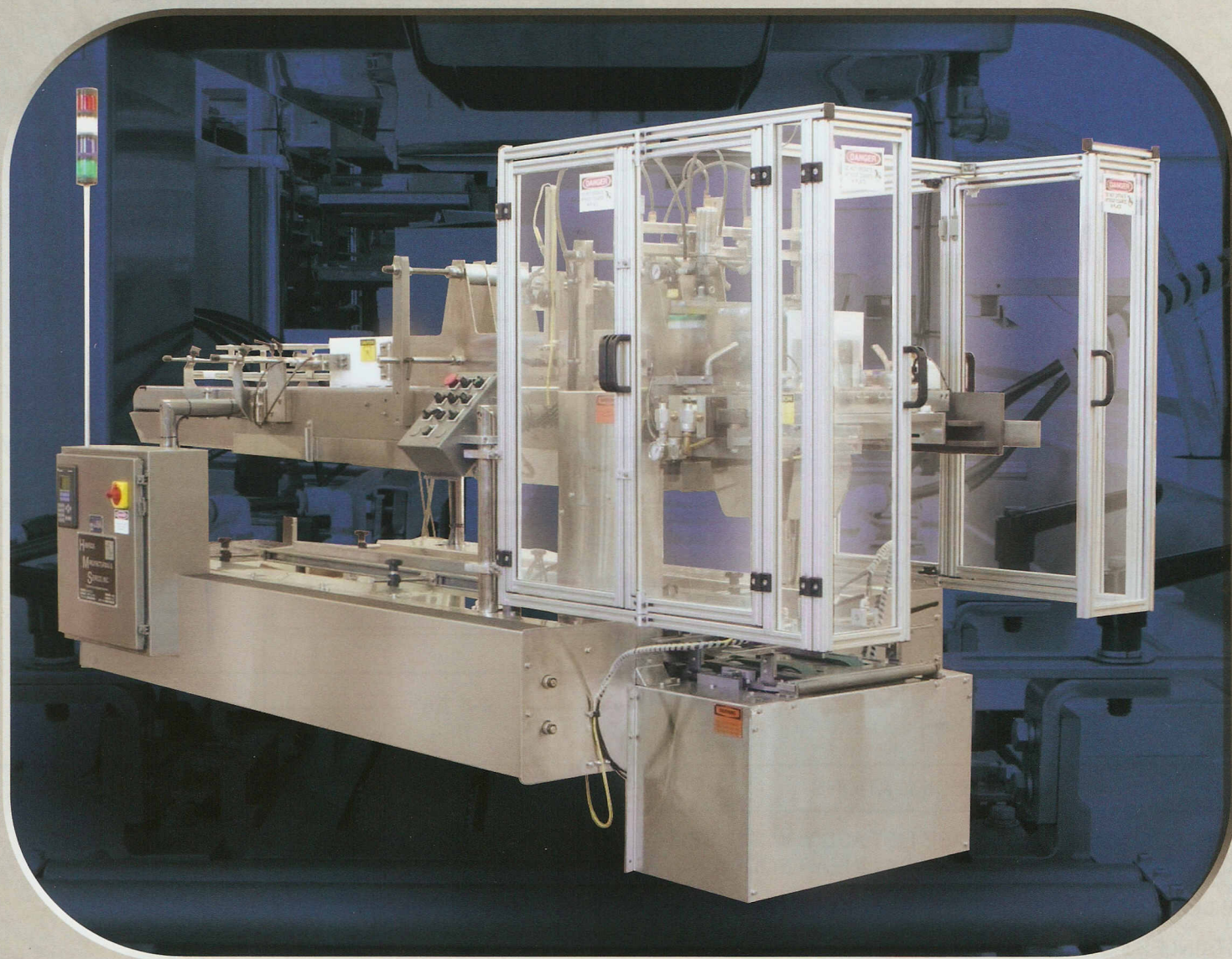
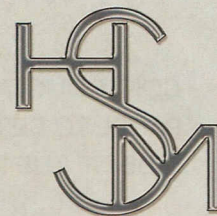


# CASE PACKER MODEL 300 E SERIES



• 15 CASES PER MINUTE •

Simplicity integrated with durability at an economical price, the Model 300 E Series Case Packer is a great machine for small to average size volumes.



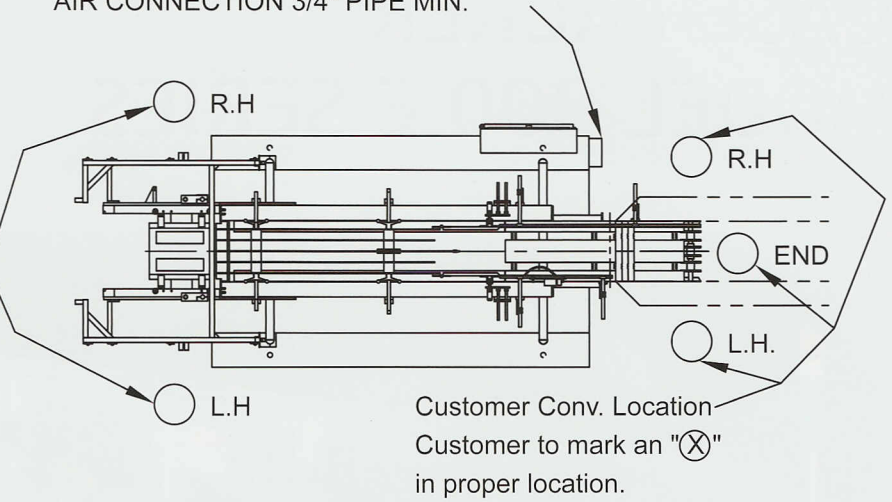
# H.M.S. 300 "E" SERIES CASE PACKER

SPEEDS UP TO 15 C.P.M.

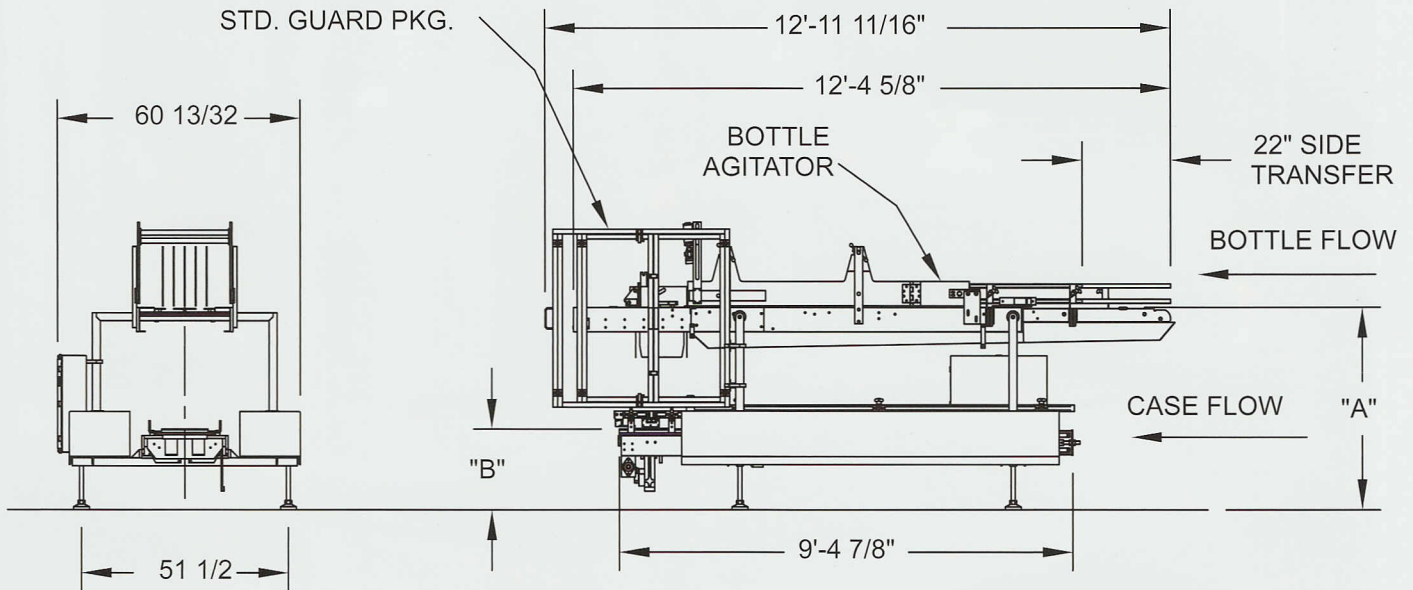
AIR CONNECTION 3/4" PIPE MIN.

CONTROL STATION & ELEC.  
PANEL TO BE ON THE SAME  
SIDE OF THE MACHINE.

Control Station Location  
Customer to mark an "X"  
in proper location.



Customer Conv. Location  
Customer to mark an "X"  
in proper location.



## UNIT SPECIFICATIONS

VERTICALLY MOUNTED CASE LIFT ASS'Y. W/S.S. SELF-ALIGNING TOP PLATE & V-TRACK LINEAR SLIDES  
ALLEN BRADLEY PLC CONTROLLER W/KEYPAD  
STAINLESS STEEL CONTAINER & CASE GUIDES  
SAFETY INTERLOCKED GUARDING  
SINGLE MAIN CASE & CONVEYOR MOTOR  
ONE PACKING HEAD ASS'Y.  
1yr. WARRANTY W/100% MONEY BACK GUARANTEE  
ALSO AVAILABLE AS "D" SERIES FOR NON-RD. CONTAINERS  
ALSO AVAILABLE AS 90 DEG OR 180 DEG CASE TO CONTAINER CONFIGURATION

## PLANT SPECIFICATIONS

"A" = BOTTLE CONVEYOR ELEVATION \_\_\_\_\_  
"B" = CASE CONVEYOR ELEVATION \_\_\_\_\_

LINE SPEED (B.P.M.)	BOTTLE TYPE
_____	_____
_____	_____
_____	_____
_____	_____

COLOR OF UNIT \_\_\_\_\_ (STEEL-IT STANDARD)



MANUFACTURING & SERVICE, INC.

MOGADORE, OHIO U.S.A.

1436 MARTIN ROAD  
P.O. BOX 5  
MOGADORE, OHIO 44260  
PH: (330)628-4877  
FAX:(330)628-2180  
WWW.SALES@HAMRICKMFG.COM  
WEBSITE WWW.HAMRICKMFG.COM