



HAMRICK

SOFT-SET SYSTEM CASE & TRAY PACKER



Round & Non-Round
Containers



15
Cycles Per Minute

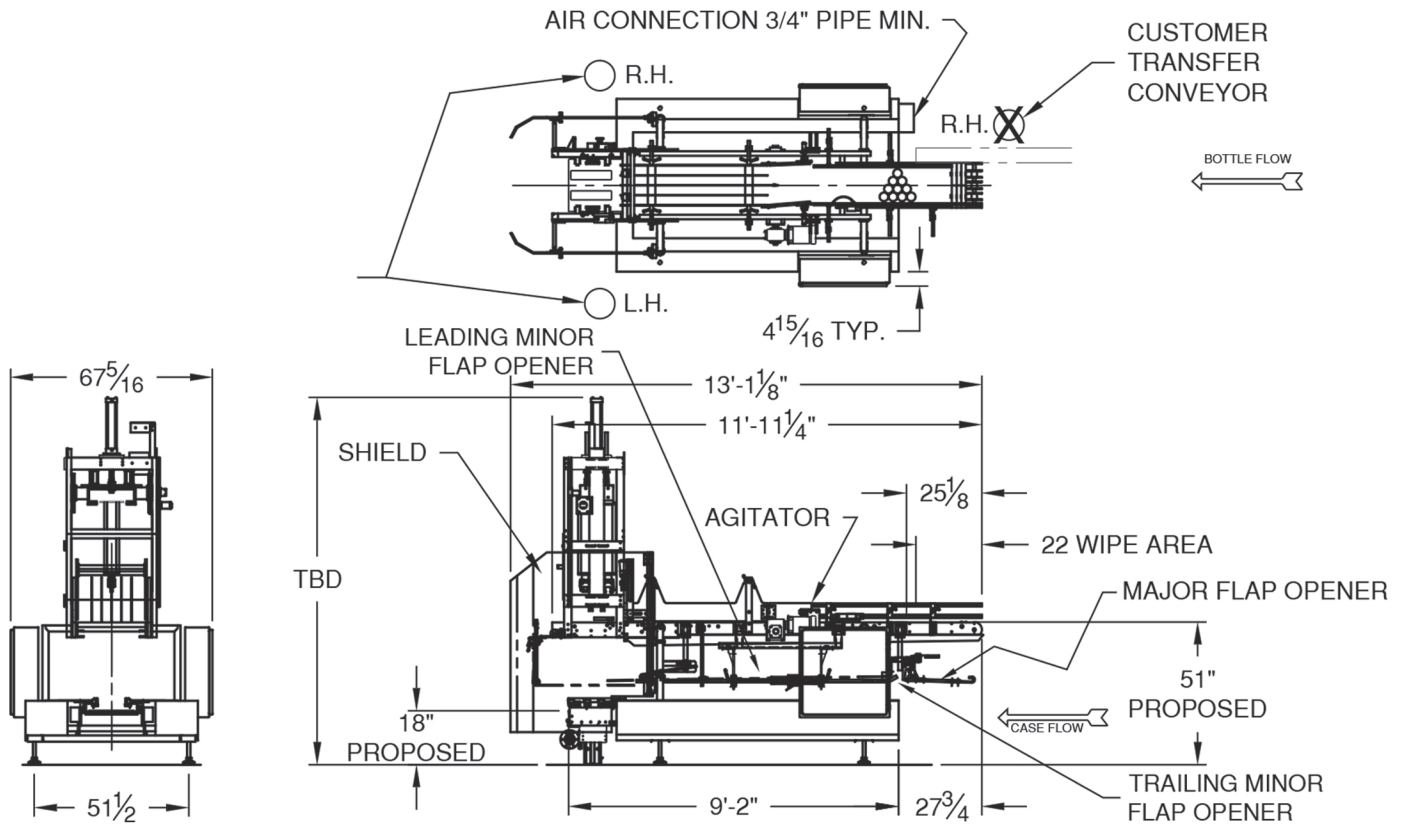


Low to Medium
Production Volume



HAMRICK

SOFT PACK SYSTEM CASE & TRAY PACKER



Unit Specifications:

- Pack product into cases or trays
- Pneumatic vacuum, or gripper, assembly depending on product
- Adjustable pattern plates conform to multiple pack patterns
- Allen-Bradley PLC controller with keypad
- Stainless steel container and case guides
- Simple changeover in less than 15 minutes

Upgrades Available:

- "D" Series for non-round containers
- 90° Bottle turner
- Tab-lock breaker on case lift
- All stainless steel construction with NEMA 4 electrical

One (1) Year Warranty and 100% Money Back Guarantee Always Included